

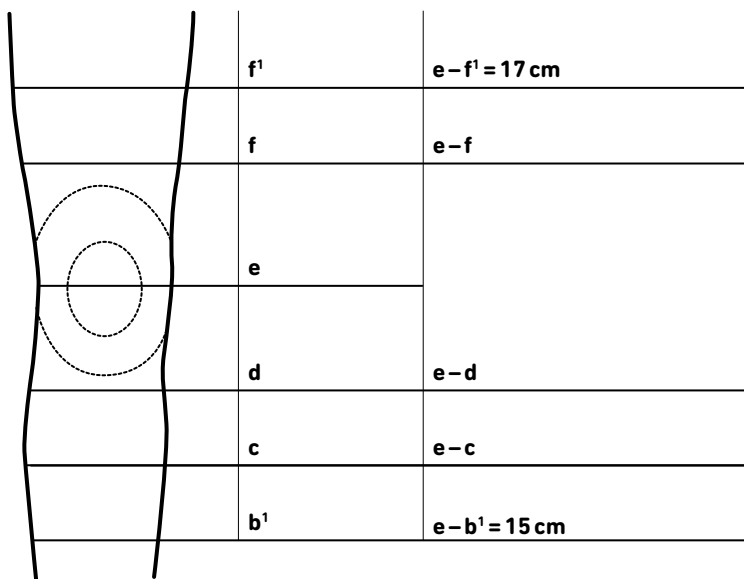
ORDER FOR CUSTOM-MADE PRODUCTS

SecuTec® Genu

BAUERFEIND.COM

Identifier _____
 (e.g. patient name, abbreviation) _____

Circumference Length



Quotation

Order

Knee

Left Right

Color

Blue Green

Patient details*

Male Female

Obese Pronounced muscles

Age _____ Height _____

* Optional; please specify special anatomical features to ensure an accurate fit of the finished product.

The purchaser is responsible for ensuring that all size information is correct. Custom-made solutions cannot be returned.

All measurements must be entered to ensure proper treatment.

- f^1 Thigh: Measure the circumference at least 17 cm above the middle of the knee (e).
- f Base of thigh
- e Middle of knee
- d Narrowest point below the knee
- c Calf circumference: Measure the circumference at least 12 cm below the middle of the knee (e).
- b^1 Calf circumference 15 cm below the middle of the knee (e).

Notes:

- Take measurements with a slight flexion (30°).
 - The length is measured on the outside of the leg.
- The distance between $e - f^1$ should not be less than the distance between $e - c$.



Stamp

Customer no. _____

Signature _____

Date _____